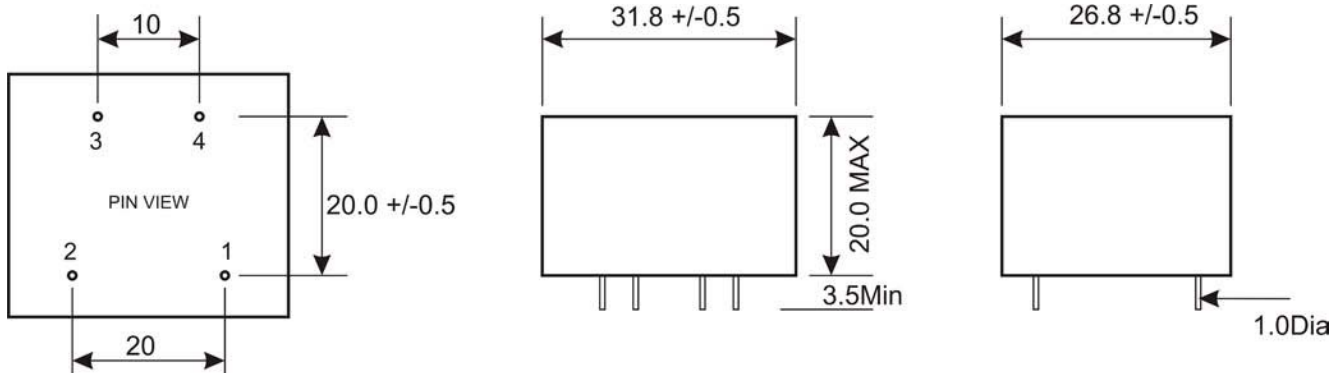




Features:

- 5W Single Output
- Output Range: 3.3V~24VDC
- Input: 90 ~ 265VAC , 47~63Hz (100~370VDC)
- Low Standby Power <0.15w
- Low Ripple & Noise
- Encapsulated Design
- Fully Isolated Pri ~ Sec >4000Vrms
- Materials: UL94-V0
- Safety: EN61558, EN60950, CE, TUV

Part No	Power Rating Watts	Output Volt- age (Vdc)	Output Current (mA)	Ambient Temp. (°C)	Efficiency Typical	Input Range
VTX-214-005-103	4.2	3.3	1500	50	>70%	90~265VAC (100~370VDC)
VTX-214-005-105	5	5	1000			
VTX-214-005-106	5	6	833			
VTX-214-005-107	5	7.5	666			
VTX-214-005-108	5	8	625			
VTX-214-005-109	5	9	555			
VTX-214-005-110	5	10	500			
VTX-214-005-112	5	12	416			
VTX-214-005-115	5	15	333			
VTX-214-005-118	5	18	277			
VTX-214-005-124	5	24	208			



Pins 1&2: AC/DC Input
Pin 3: Output DC +V
Pin 4: Output DC 0V

Unit weight: 30g

Model: 5Watt		Specification
INPUT Pin 1: L Pin 2: N	Voltage Range	90 ~ 265VAC / 47 ~ 63Hz (100VDC ~ 370VDC)
	Current	100mA Max (100VAC) / 70mA Max (240VAC)
	Inrush Current	15A Max (100VAC) / 25A Max (240VAC)
	No Load power Losses	0.15W Max
	Leakage Current	0.25mA Max
OUTPUT Pin 3: DC+ Pin 4: DC-	Voltage Accuracy	2%
	Ripple	<50mV Max (Vp~p)
	Noise	<2% Vout Max (Vp~p)
	Efficiency	>70%
	Protection	Over Power, Over Voltage & Short Circuit Protection
Insulation	Input to Output	3600Vrms, 5mA 1 Min (4200VAC 2sec)
Environment	Operating Temperature	-40°C ~ +70°C (Full Load)
	Storage Temperature	-40°C ~ +105°C
	Weight	30g
	MTBF	>300,000Hrs @ 25°C (MIL-HDBK-217F)
Safety	Agency Approval	EN60950-1, EN61558-1, EN61558-2-6, EN61558-2-17
EMC	EMI	Compliance with EN55022 Class B
	EMS	Compliance with EN55024, EN55014-1, EN55014-2, EN61000-3-2 Class A, EN61000-3-3

